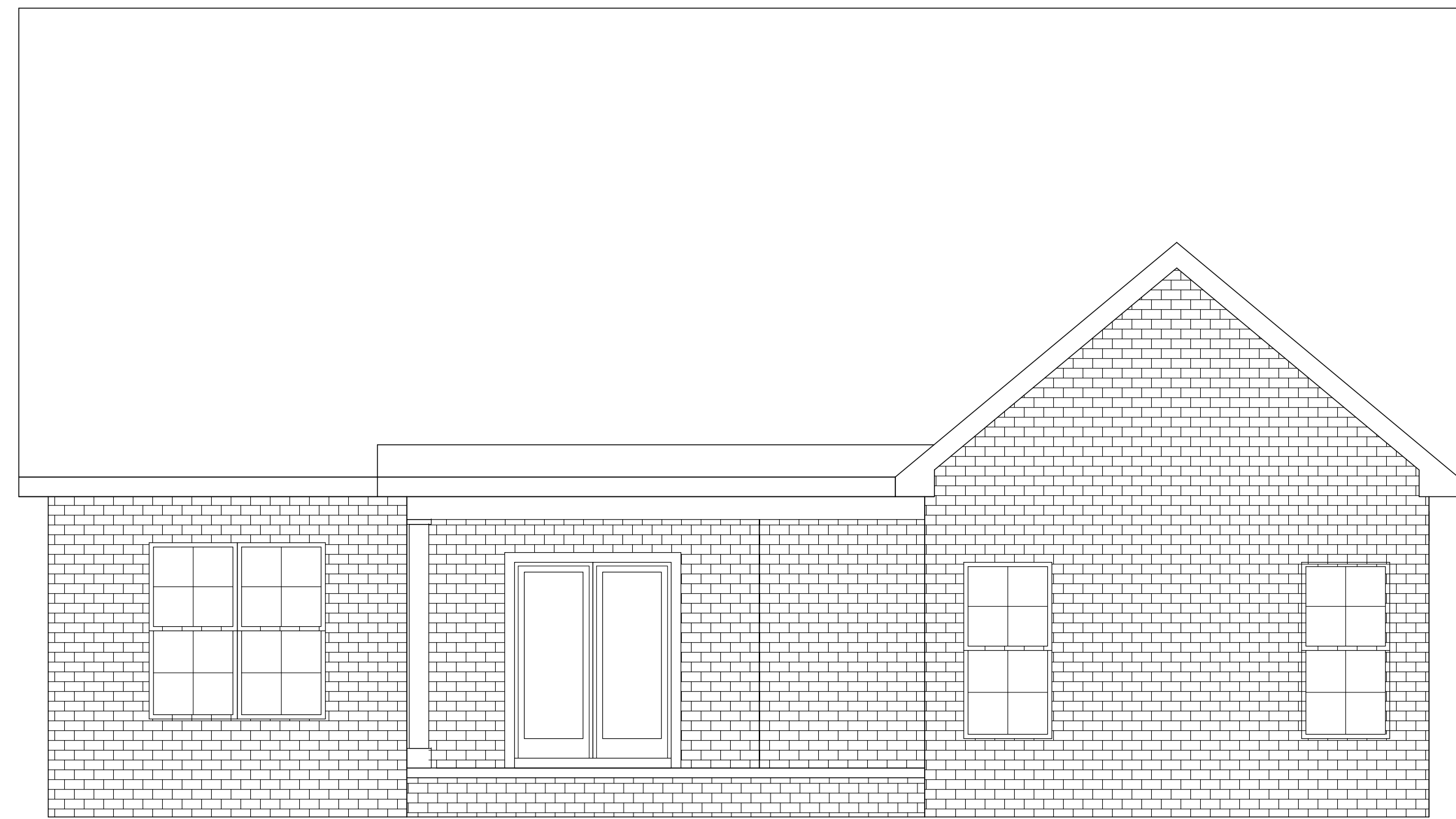




**LEFT ELEVATION**

SCALE: 1/4"=1'-0"



**REAR ELEVATION**

SCALE: 1/4"=1'-0"



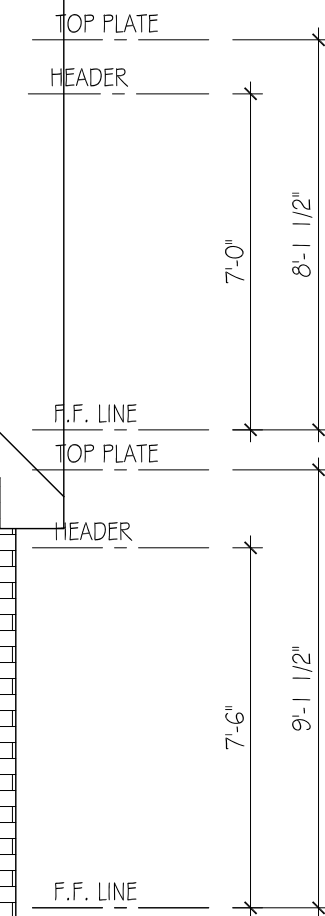
**RIGHT ELEVATION**

SCALE: 1/4"=1'-0"



**FRONT ELEVATION**

SCALE: 1/4"=1'-0"



THE RIDGE III LOT 347  
MAGNOLIA

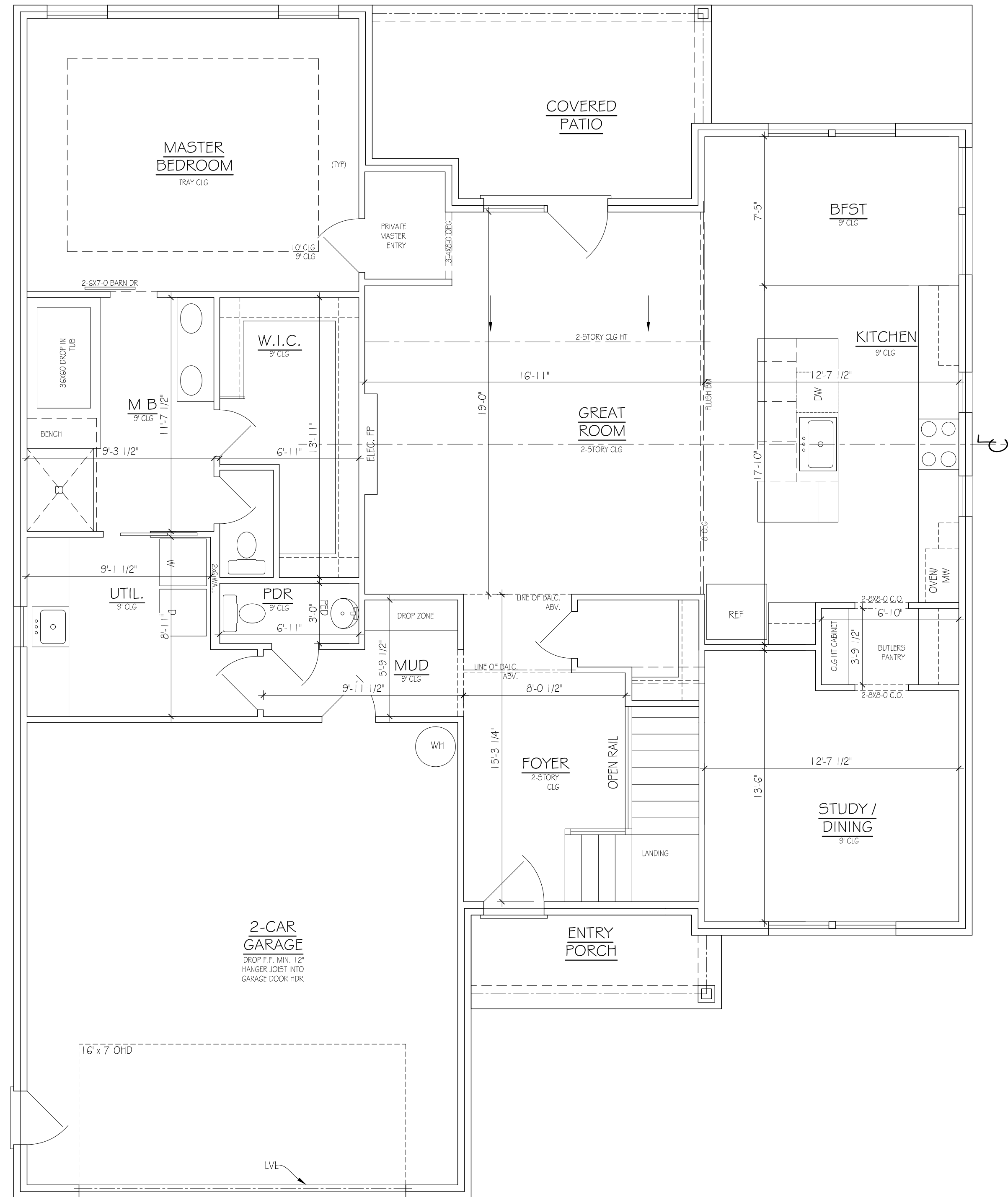
C:\Users\kca\Desktop\Logo\Logo.png

234 W. Northfield Blvd.  
Murfreesboro, TN 37129

DRAWN BY: DATE ISSUED: 03/21/22 REVISIONS:

ELEVATIONS

**A.1**

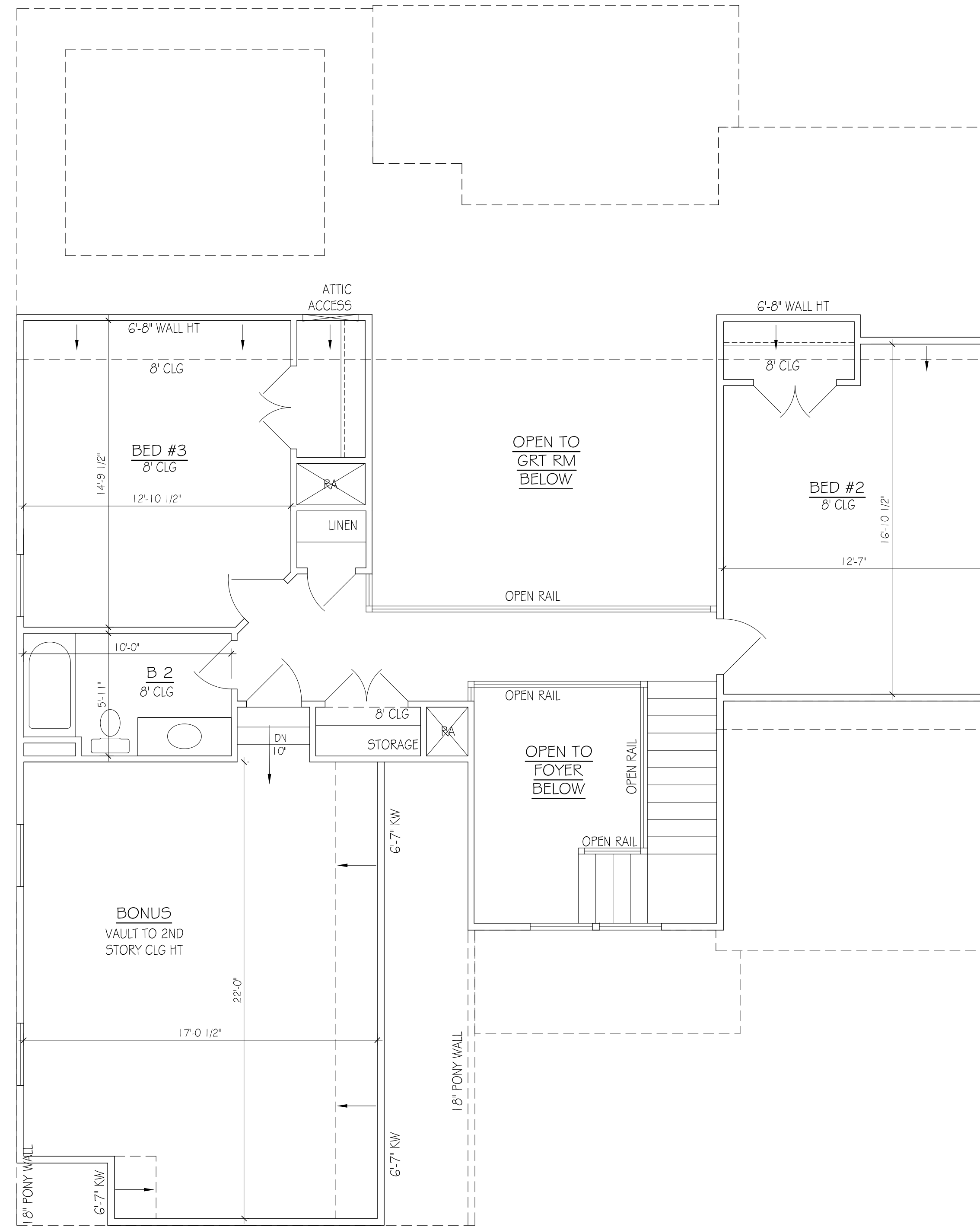


**FIRST FLOOR PLAN**  
SCALE: 1/4"=1'-0"

APPROX. AREA	
FIRST FLOOR LIVING	1679
SECOND FLOOR LIVING	1071
TOTAL HEATED	2750
GARAGE	512
FRONT PORCH COVERED	63
TOTAL COVERED	3478

**THE RIDGE III LOT 347  
MAGNOLIA**

Cl:\Users\kca\Documents\Projects\Logo.png  
234 W. Northfield Blvd.  
Murfreesboro, TN 37129  
**DRAWN BY:** [REDACTED]  
DATE ISSUED: 03/21/22  
REVISIONS: [REDACTED]



**SECOND FLOOR PLAN**

SCALE: 1/4"=1'-0"

**THE RIDGE III LOT 347  
MAGNOLIA**

C:\Users\kca\Desktop\Logo.png

234 W. Northfield Blvd.  
Murfreesboro, TN 37129

**DRAWN BY:** REVERSON  
DATE ISSUED: 03.21.22

**FLR PLANS**

**A.3**